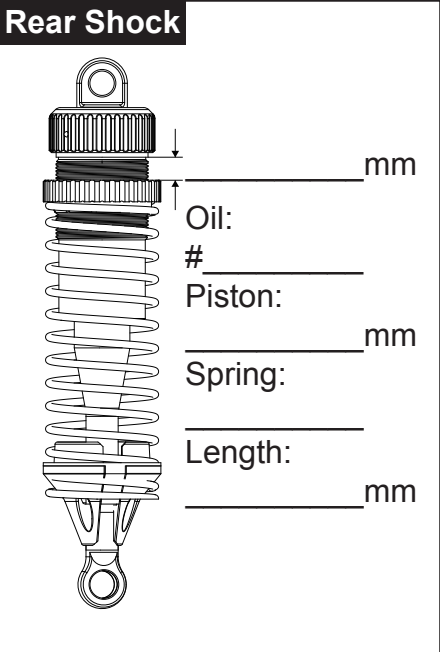
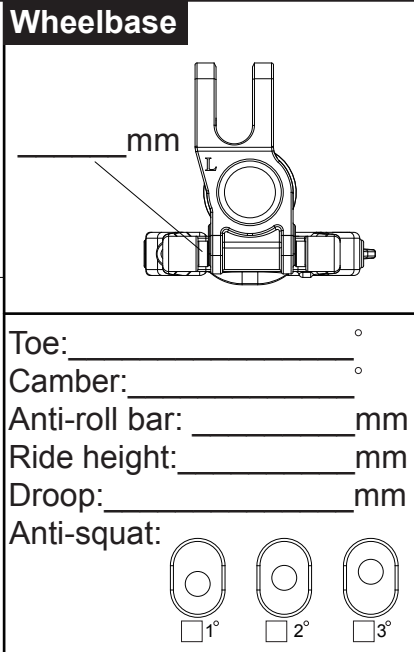
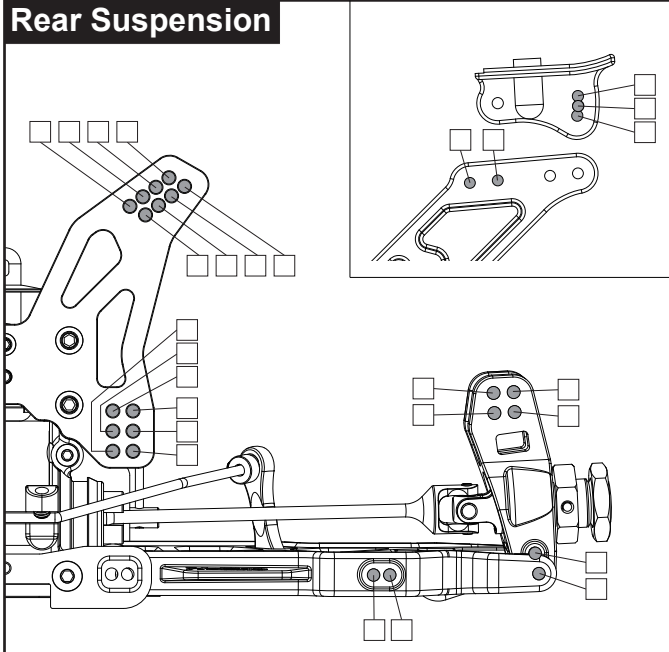
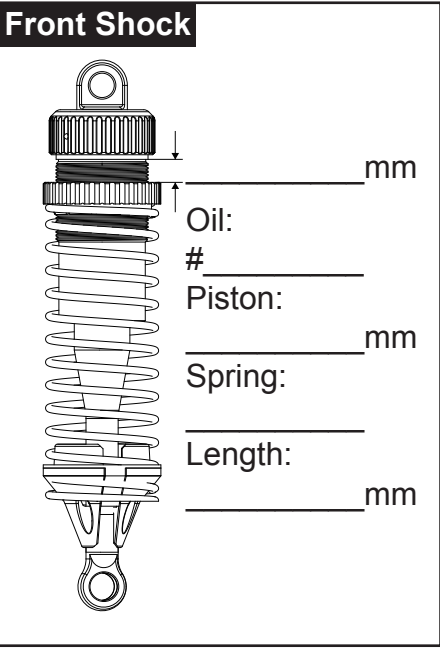
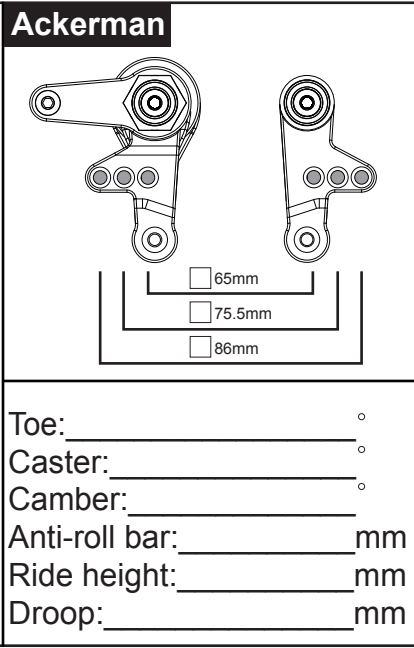
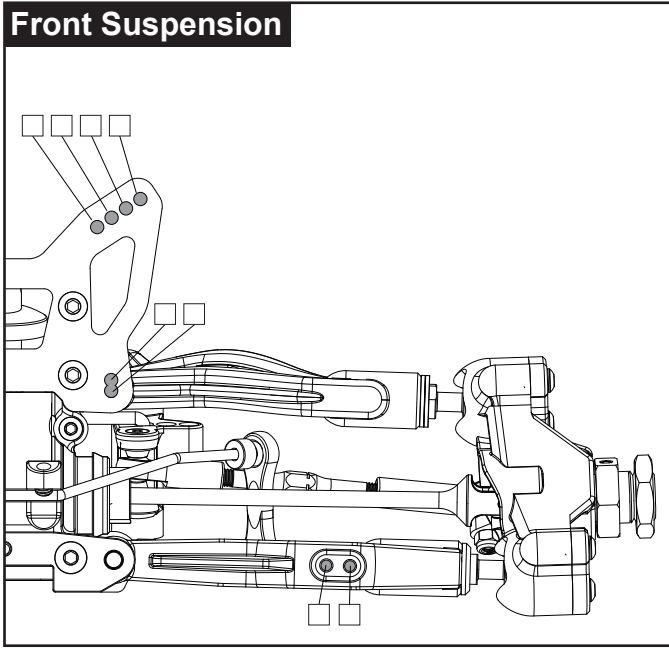


# SETUP SHEET

Driver : \_\_\_\_\_ Track : \_\_\_\_\_ Event : \_\_\_\_\_  
 Date : \_\_\_\_\_ Track Condition : \_\_\_\_\_



### Electronics

Motor: \_\_\_\_\_  
 ESC: \_\_\_\_\_  
 Battery: \_\_\_\_\_

### Tires

	Front	Rear
Brand:	_____	_____
Compound:	_____	_____
Insert:	_____	_____
Wheel:	_____	_____

### Differentials

Front: # \_\_\_\_\_  Standard  Spider  
 Center: # \_\_\_\_\_  Standard  Spider  
 Rear: # \_\_\_\_\_  Standard  Spider

### Gearing

Pinion: \_\_\_\_\_  
 Spur: \_\_\_\_\_

### Notes

\_\_\_\_\_  
 \_\_\_\_\_  
 \_\_\_\_\_  
 \_\_\_\_\_  
 \_\_\_\_\_